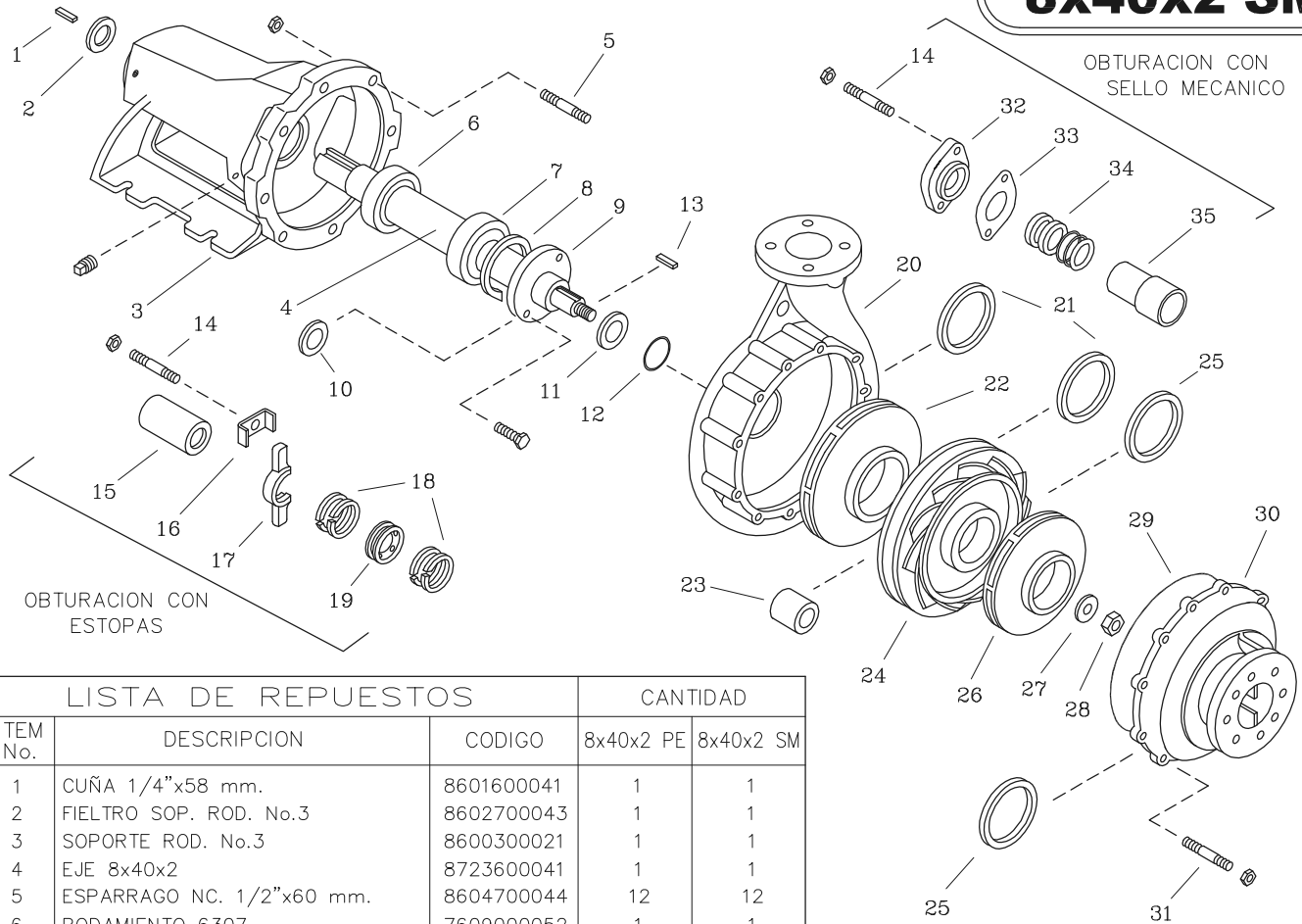


**8x40x2 PE**  
**8x40x2 SM**



## LISTA DE REPUESTOS

## CANTIDAD

| ITEM No. | DESCRIPCION                   | CODIGO     | CANTIDAD  |           |
|----------|-------------------------------|------------|-----------|-----------|
|          |                               |            | 8x40x2 PE | 8x40x2 SM |
| 1        | CUÑA 1/4"x58 mm.              | 8601600041 | 1         | 1         |
| 2        | FIELTRO SOP. ROD. No.3        | 8602700043 | 1         | 1         |
| 3        | SOPORTE ROD. No.3             | 8600300021 | 1         | 1         |
| 4        | EJE 8x40x2                    | 8723600041 | 1         | 1         |
| 5        | ESPARRAGO NC. 1/2"x60 mm.     | 8604700044 | 12        | 12        |
| 6        | RODAMIENTO 6307               | 7609000052 | 1         | 1         |
| 7        | RODAMIENTO 7308B              | 8601300052 | 1         | 1         |
| 8        | ANILLO RETEN. ROD. I-90       | 8602500052 | 1         | 1         |
| 9        | TAPA ANTERIOR SOP. ROD. No.5  | 8600700021 | 1         | 1         |
| 10       | FIELTRO TAPA ANT. SOP. No.3   | 8602500043 | 1         | 1         |
| 11       | DEFLECTOR 37 mm. DIA INT.     | 7110200051 | 1         | 1         |
| 12       | AROSSELLO REF. 2-029          | 1300300051 | 1         | -         |
| 13       | CUÑA 1/4"x45 mm.              | 7711500041 | 2         | 2         |
| 14       | ESPARRAGO NC. 1/2"x53 mm.     | 8601000044 | 2         | 2         |
| 15       | CASQUILLO P.E. No.3           | 8601100041 | 1         | -         |
| 16       | GRAPA PRENSA ESTOPA           | 7817300044 | 2         | -         |
| 17       | PRENSA ESTOPA No.3            | 8600400021 | 2         | -         |
| 18       | CORDON PLOMBAGINADO 3/8"x3/8" | 7581800033 | 0.105 Kg. | -         |
| 19       | ANILLO LINTERNA No.3          | 7903700022 | 1         | -         |
| 20       | CARCASA ANILLO 8x40x2         | 8717600021 | 1         | -         |
| 21       | ANILLO DE FRICCION I          | 8717700022 | 2         | -         |
| 22       | ROTOR 8x40x2 330 mm.          | 8718600021 | 1         | 1         |
| 23       | CASQUILLO SEPARADOR 8x40x2    | 8720100041 | 1         | 1         |
| 24       | DIFUSOR ANILLO 8x40x2         | 8719000021 | 1         | 1         |
| 25       | ANILLO DE FRICCION II         | 8718400022 | 2         | 2         |
| 26       | ROTOR 8x40x2 260 mm.          | 8718700021 | 1         | 1         |
| 27       | ARANDELA ROTOR 25/32Di x42DE  | 0600400041 | 1         | 1         |
| 28       | TUERCA DE SEGURIDAD 3/4" NF   | 9705500056 | 1         | 1         |
| 29       | AROSSELLO CUERPO SUCC. 8x40x2 | 8723500051 | 1         | 1         |
| 30       | CUERPO DE SUCCION 8x40x2      | 8718300021 | 1         | 1         |
| 31       | ESPARRAGO NC. 9/16"x54 mm.    | 9009200044 | 12        | 12        |
| 32       | PRENSA SELLO 12x25            | 8602900021 | -         | 1         |
| 33       | EMPAQUE PRENSA SELLO          | 8602300043 | -         | 1         |
| 34       | SELLO MECANICO 1.1/2 TIPO 21  | 7712000051 | -         | 1         |
| 35       | CASQUILLO S.M. No.3           | 8602200041 | -         | 1         |

- Tornilleria estandar se ilustra unicamente.