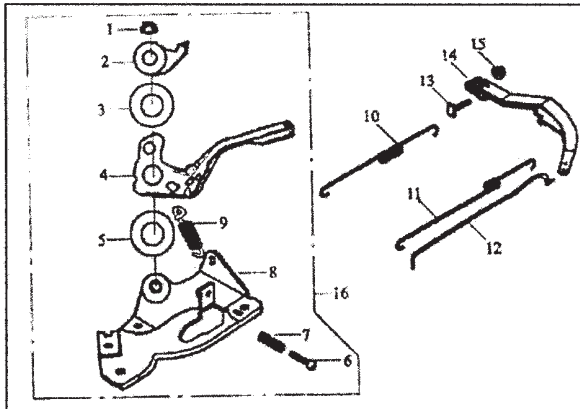


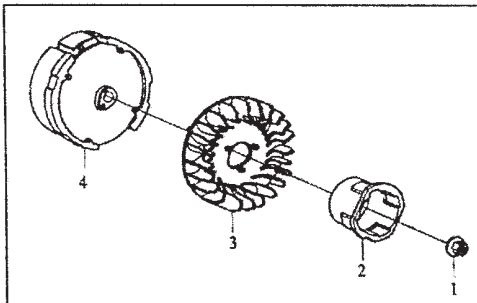
## E-11 REGULATING CONTROL SYSTEM



| Ref. No. | Part. No.    | Description            | Quantity |
|----------|--------------|------------------------|----------|
| 1        | GB6173-86    | Nut M6                 | 1        |
| 2        | 26414/168F   | Setting panel          | 1        |
| 3        | 26418/168F   | Spring patch           | 1        |
| 4        | 26412/168F   | Handgrip               | 1        |
| 5        | 26419/168F   | Washer                 | 1        |
| 6        | GB818-85-H   | Bolt M5 X 25           | 1        |
| 7        | 26415/168F   | Regulating spring      | 1        |
| 8        | 26420/168F   | Support panel assy     | 1        |
| 9        | 26416/168F   | Spring                 | 1        |
| * 10     | 26363        | Back spring            | 1        |
|          | 26363/(168F) | Back spring            | 1        |
| 11       | 26364/168F   | Fine regulation spring | 1        |
| 12       | 26341/168F   | Pulling rod            | 1        |
| 13       | 26362/168F   | Lock bolt              | 1        |
| 14       | 26331/168F   | Regulating arm         | 1        |
| 15       | GB6177-86    | Nut M6                 | 1        |
| 16       | 26410/168F   | Regulating frame assy  | 1        |

\* ACCORDING ENGINE MODEL

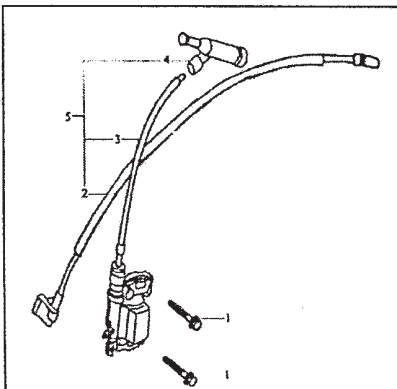
## E-12 FLYWHEEL



| Ref. No. | Part. No.    | Description     | Quantity |
|----------|--------------|-----------------|----------|
| 1        | 27515/168F   | Nut M 14 x 1.5  | 1        |
| 2        | 27370/168F   | Starting flange | 1        |
| 3        | 19722/168F   | Flywheel fan    | 1        |
| * 4      | 27500        | Flywheel        | 1        |
|          | 27500/(168F) | Flywheel        | 1        |

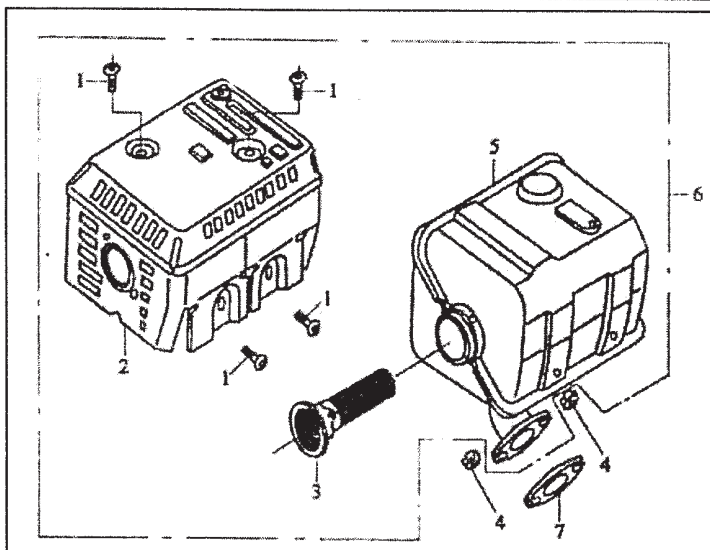
\* ACCORDING ENGINE MODEL

## E-13 IGNITION COIL



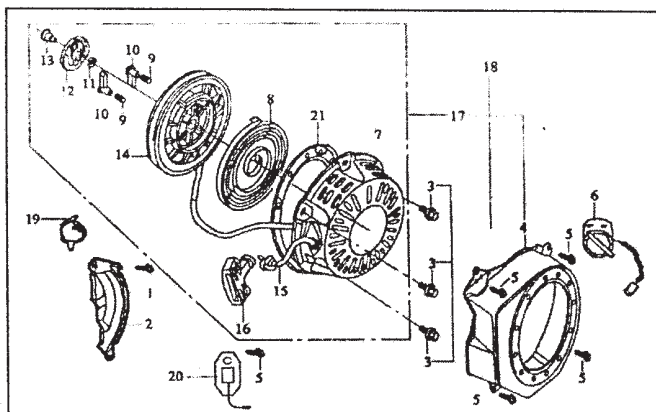
| Ref. No. | Part. No.  | Description        | Quantity |
|----------|------------|--------------------|----------|
| 1        | GB5787-86  | Screw M6 x 25      | 2        |
| 2        | 34410/168F | Engine stop cable  | 1        |
| 3        | 34510/168F | Ignition coil      | 1        |
| 4        | 34310/168F | Spark plug cap     | 1        |
| 5        | 34500/168F | Ignition coil assy | 1        |

## E-9 MUFFLER



| Ref. No. | Part. No.  | Description        | Quantity |
|----------|------------|--------------------|----------|
| 1        | GB5787-86  | Screw M5x8         | 4        |
| 2        | 18600/168F | Muffler hood       | 1        |
| 3        | 18310/168F | Spark extinguisher | 1        |
| 4        | GB6170-86  | Nut M8             | 2        |
| 5        | 18300/168F | Muffler            | 1        |
| 6        | 18000/168F | Exhaust muffler    | 1        |
| 7        | 12255/168F | Exhaust gasket     | 1        |

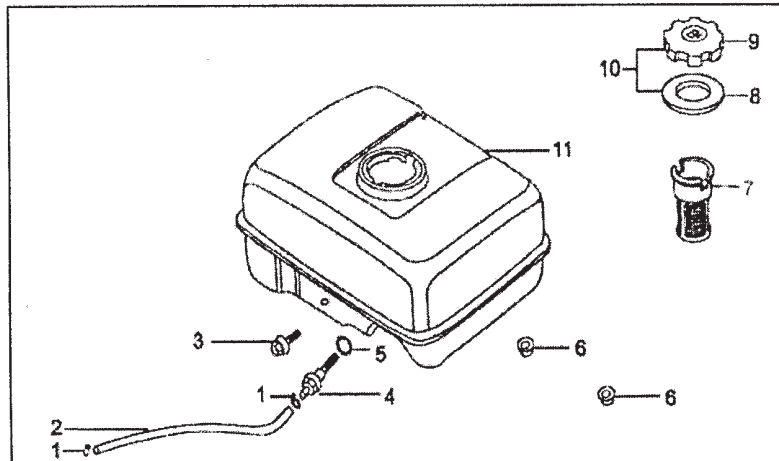
## E-10 RECOIL STARTER



| Ref. No. | Part. No.    | Description               | Quantity |
|----------|--------------|---------------------------|----------|
| 1        | GB5787-86    | Bolt M6 x 22              | 1        |
| 2        | 19810/168F   | Crankcase side plate assy | 1        |
| 3        | GB5787-86    | Bolt M6 x 18              | 3        |
| * 4      | 19710        | Fan hood assy             | 1        |
|          | 19710/(168F) | Fan hood assy             | 1        |
| 5        | GB5787-86    | Bolt M6 x 12              | 5        |
| 6        | 35410/168F   | Engine switch             | 1        |
| 7        | 27380/168F   | Casing                    | 1        |
| 8        | 27319/168F   | Spiral spring             | 1        |
| 9        | 27312/168F   | Ratchet spring            | 2        |
| 10       | 27331/168F   | Ratchet                   | 2        |
| 11       | 27311/168F   | Friction spring           | 1        |
| 12       | 27341/168F   | Spring lid                | 1        |
| 13       | 27315/168F   | Set screw                 | 1        |
| 14       | 27351/168F   | Starter rolls             | 1        |
| 15       | 27313/168F   | Rope                      | 1        |
| 16       | 27361/168F   | Pulling handle            | 1        |
| 17       | 27300/(168F) | Recoil starter            | 1        |
| 18       | 27100        | Recoil starter assy       | 1        |
| 19       | 32211/168F   | Plastic clip              | 1        |
| 20       | 37850/168F   | Diode                     | 1        |
| 21       | 27390        | Rim                       | 1        |

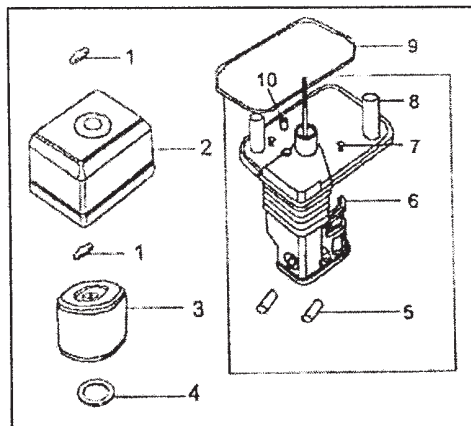
\* ACCORDING ENGINE MODEL

## E-7 FUEL TANK ASSY



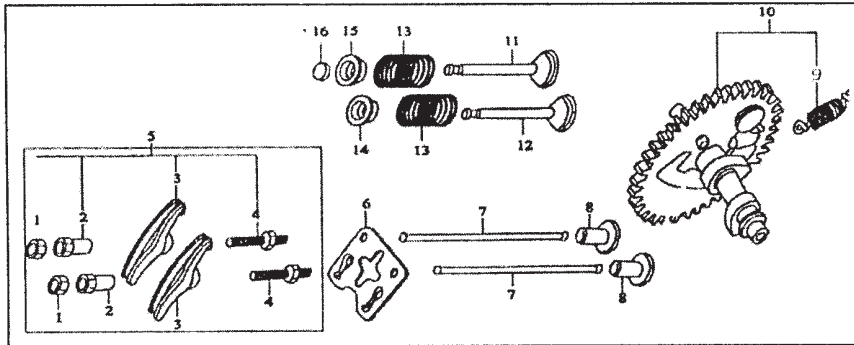
| Ref. No. | Part. No.  | Description                       | Quantity |
|----------|------------|-----------------------------------|----------|
| 1        | 16937/168F | Pipe clamp                        | 2        |
| 2        | 16931/168F | Outlet pipe                       | 1        |
| 3        | GB5787-86  | Bolt M6x22                        | 1        |
| 4        | 16950/168F | Connector                         | 1        |
| 5        | 16961/168F | Packing ring                      | 1        |
| 6        | GB6177-86  | Nut M6                            | 2        |
| 7        | 16916/168F | Filter cup                        | 1        |
| 8        | 16521/168F | Packing ring                      | 1        |
| 9        | 16510/168F | Fuel filter cap                   | 1        |
| 10       | 16500/168F | Fuel filler cap with packing ring | 1        |
| 11       | 16610/168F | Fuel tank                         | 1        |

## E-8 AIR CLEANER ASSY



| Ref. No. | Part. No.  | Description         | Quantity |
|----------|------------|---------------------|----------|
| 1        | GB62-88    | Wing nut            | 2        |
| 2        | 17111/168F | Air cleaner cover   | 1        |
| 3        | 17130/168F | Filter element      | 1        |
| 4        | 17125/168F | Washer              | 1        |
| 5        | 17126/168F | Sleeve A            | 2        |
| 6        | 17131/168F | Air cleaner Housing | 1        |
| 7        | GB3115-82  | Screw M5x12         | 2        |
| 8        | 17141/168F | Air cleaner base    | 1        |
| 9        | 17145/168F | Gasket              | 1        |
| 10       | 17146/168F | Sleeve B            | 1        |

## E-5 COMBINATION OF CAM SHAFT & VALVE ROCKER

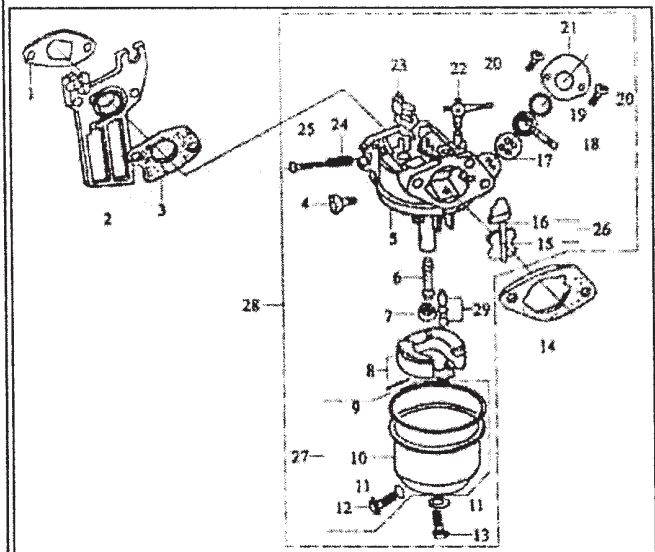


| Ref. No. | Part. No.    | Description                  | Quantity |
|----------|--------------|------------------------------|----------|
| 1        | 14416/168F   | Lock nut                     | 2        |
| 2        | 14413/168F   | Sleeve                       | 2        |
| 3        | 14411/168F   | Valve rocker                 | 2        |
| 4        | 14415/168F   | Adjusting bolt for valve gap | 2        |
| 5        | 14410/168F   | Valve rocker assy            | 2        |
| 6        | 14261/168F   | Pusher guide                 | 1        |
| 7        | 14250/168F   | Pusher                       | 2        |
| * 8      | 14455        | Tappet                       | 2        |
|          | 14455/(168F) | Tappet                       | 2        |
| 9        | 14146/168F   | Extension spring             | 1        |
| * 10     | 14100        | Camshaft Assy                | 1        |
|          | 14100/168F   | Camshaft Assy                | 1        |
| 11       | 14721/168F   | Exhaust valve                | 1        |
| 12       | 14711/168F   | Intake valve                 | 1        |
| 13       | 14755/168F   | Valve spring                 | 2        |
| 14       | 14751/168F   | Spring seat, intake valve    | 1        |
| 15       | 14757/168F   | Spring seat, exhaust valve   | 1        |
| 16       | 14758/168F   | Cap                          | 1        |

\* ACCORDING ENGINE MODEL

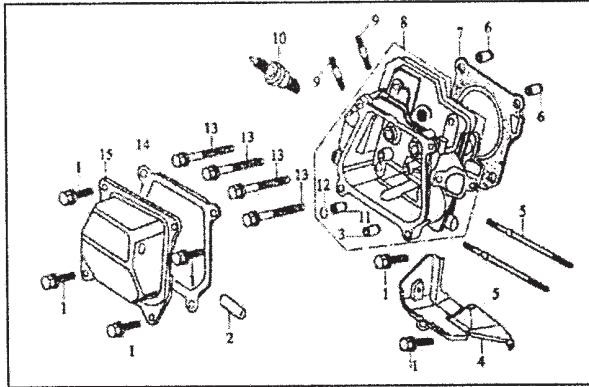
## E-6 CARBURETOR ASSY

| Ref. No. | Part. No.    | Description                      | Quantity |
|----------|--------------|----------------------------------|----------|
| 1        | 12254/168F   | Inlet gasket                     | 1        |
| 2        | 16141/168F   | Connecting block                 | 1        |
| 3        | 16142/168F   | Carburetor gasket                | 1        |
| 4        | 16421/168F   | Idle adjustment screw            | 1        |
| 5        | 16250/168F   | Mixture chamber body             | 1        |
| * 6      | 16251        | Main nozzle                      | 1        |
|          | 16251/(168F) | Main nozzle                      | 1        |
| 7        | 16254/168F   | Main jet                         | 1        |
| 8        | 16230/168F   | Float                            | 1        |
| 9        | 16219/168F   | Float chamber gasket             | 1        |
| 10       | 16211/168F   | Float chamber                    | 1        |
| 11       | 16216/168F   | Washer                           | 2        |
| 12       | 16215/168F   | Float chamber drain screw        | 1        |
| 13       | 16213/168F   | Screw                            | 1        |
| 14       | 17330/168F   | Air cleaner gasket               | 1        |
| 15       | 16331/168F   | Choke                            | 1        |
| 16       | 16332/168F   | Choke stem                       | 1        |
| 17       | 16312/168F   | Airproof washer                  | 1        |
| 18       | 16311/168F   | Throttle level                   | 1        |
| 19       | 16313/168F   | Washer                           | 1        |
| 20       | GB5787-86    | Screw M4                         | 2        |
| 21       | 16314/168F   | Cover                            | 1        |
| 22       | 16148/168F   | Choke switch                     | 1        |
| * 23     | 16280        | Throttle unit                    | 1        |
|          | 16280/(168F) | Throttle unit                    | 1        |
| 24       | 16422/168F   | Spring, mixture adjustment screw | 1        |
| 25       | 16425/168F   | Mixture adjustment screw         | 1        |
| 26       | 16330/173F   | Choke unit                       | 1        |
| 27       | 16210/173F   | Float chamber                    | 1        |
| * 28     | 16100        | Carburetor Assy                  | 1        |
|          | 16100/(168F) | Carburetor Assy                  | 1        |
| 29       | 16240/168F   | Float needle                     | 1        |



\* ACCORDING ENGINE MODEL

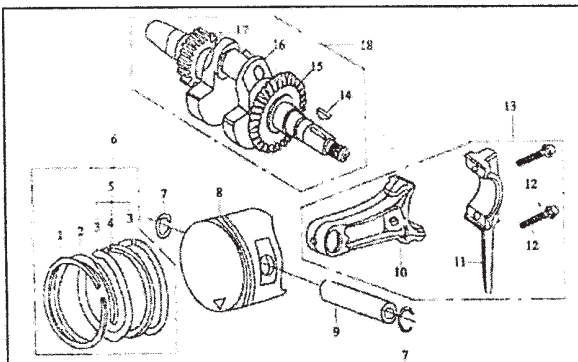
## E-3 CYLINDER HEAD & CYLINDER HEAD COVER ASSY



| Ref. No. | Part. No.    | Description                 | Quantity |
|----------|--------------|-----------------------------|----------|
| 1        | GB5787-86    | Bolt M6x12                  | 6        |
| 2        | 20651/168F   | Air duck                    | 1        |
| 3        | 12214/168F   | Intake valve guide          | 1        |
| 4        | 19721/168F   | Lead wind cover             | 1        |
| 5        | 12252/168F   | Stud M6x113                 | 2        |
| 6        | 12218/168F   | Set pin Ø10x16              | 2        |
| * 7      | 12221        | Gasket, cylinder head       | 1        |
|          | 12221/(168F) | Gasket, cylinder head       | 1        |
| * 8      | 12210        | Cylinder head Assy          | 1        |
|          | 12210/(168F) | Cylinder head Assy          | 1        |
| 9        | 12253/168F   | Stud M8x34                  | 2        |
| 10       | 34200/168F   | Spark plug F6RTC            | 1        |
| 11       | 12215/168F   | Exhaust valve guide         | 1        |
| 12       | 12219/168F   | Circlip                     | 1        |
| 13       | 12256/168F   | Bolt                        | 4        |
| 14       | 12312/168F   | Gasket, cylinder head cover | 1        |
| 15       | 12310        | Cylinder head cover         | 1        |

\* ACCORDING ENGINE MODEL

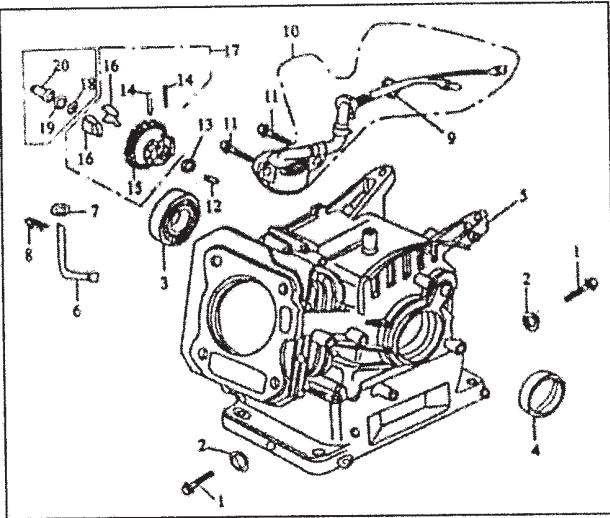
## E-4 CRANKSHAFT, PISTON & CONNECTING



| Ref. No. | Part. No.    | Description          | Quantity |
|----------|--------------|----------------------|----------|
| 1        | 13311/168F   | Piston ring ( I )    | 1        |
| 2        | 13312/168F   | Piston ring ( II )   | 1        |
| 3        | 13322/168F   | Side rail            | 2        |
| 4        | 13321/168F   | Expander             | 1        |
| 5        | 13320/168F   | Scraper ring set     | 1        |
| 6        | 13300/168F   | Piston ring assy     | 1        |
| 7        | 13222/168F   | Piston pin circlip   | 2        |
| 8        | 13211/168F   | Piston               | 1        |
| 9        | 13221/168F   | Piston pin           | 1        |
| 10       | 13131/168F   | Shank                | 1        |
| 11       | 13132/168F   | Connecting rod cover | 1        |
| 12       | 13133/168F   | Bolt                 | 2        |
| 13       | 13130/168F   | Connecting rod assy  | 1        |
| 14       | 13118/168F   | Woodruff key         | 1        |
| 15       | 25111/168F   | Drive gear           | 1        |
| 16       | 13111        | Crankshaft           | 1        |
|          | 13111/(168F) | Crankshaft           | 1        |
| 17       | 14211/168F   | Timing driving gear  | 1        |
| * 18     | 13110        | Crankshaft assy      | 1        |
|          | 13110/(168F) | Crankshaft assy      | 1        |

\* ACCORDING ENGINE MODEL

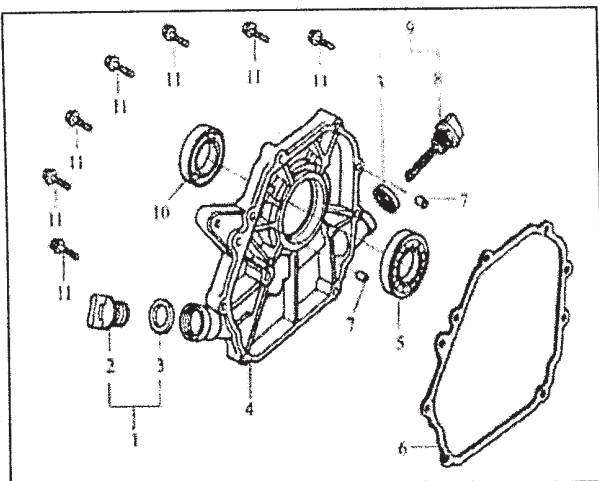
## E-1 CRANKCASE ASSY



| Ref. No. | Part. No.    | Description                 | Quantity |
|----------|--------------|-----------------------------|----------|
| 1        | 11212/168F   | Drain plug                  | 2        |
| 2        | 11213/168F   | Washer                      | 2        |
| 3        | GB276-89     | Bearing 6205                | 1        |
| 4        | 13180/168F   | Oil seal, crankshaft        | 1        |
| * 5      | 11100        | Crankcase                   | 1        |
|          | 11100/(168F) | Crankcase                   | 1        |
| 6        | 26311/168F   | Regulating sway bar         | 1        |
| 7        | 26329/168F   | Washer                      | 1        |
| 8        | 26321/168F   | Split pin                   | 1        |
| 9        | GB6177-86    | Nut M10                     | 1        |
| 10       | 37810/168F   | Oil sensor                  | 1        |
| 11       | GB5787-86    | Bolt M6x14                  | 2        |
| 12       | 25151/168F   | Regulating shaft            | 1        |
| 13       | 25165/168F   | Washer, driven gear         | 1        |
| 14       | 25163/168F   | Pin                         | 2        |
| 15       | 25121/168F   | Driven gear, regulator      | 1        |
| 16       | 25141/(168F) | Flying block                | 2        |
| 17       | 25120/(168F) | Driven gear assy, regulator | 1        |
| 18       | 25164/168F   | Snap ring                   | 1        |
| 19       | 25132/168F   | Washer                      | 1        |
| 20       | 25131/168F   | Sliding sleeve              | 1        |

\* ACCORDING ENGINE MODEL

## E-2 CRANKCASE COVER ASSY



| Ref. No. | Part. No.  | Description         | Quantity |
|----------|------------|---------------------|----------|
| 1        | 15650/168F | Oil plug with Seal  | 1        |
| 2        | 15651/168F | Oil plug            | 1        |
| 3        | 15612/168F | Seal                | 2        |
| 4        | 11311/168F | Crankcase cover     | 1        |
| 5        | GB276-89   | Bearing 6205        | 1        |
| 6        | 11119/168F | Gasket, crankcase   | 1        |
| 7        | 11118/168F | Set pin             | 2        |
| 8        | 15611/168F | Dipstick            | 1        |
| 9        | 15610/168F | Dipstick with seal  | 1        |
| 10       | 13180/168F | Oil seal, crankcase | 1        |
| 11       | GB5787-86  | Bolt M8x32          | 7        |